



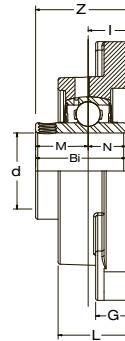
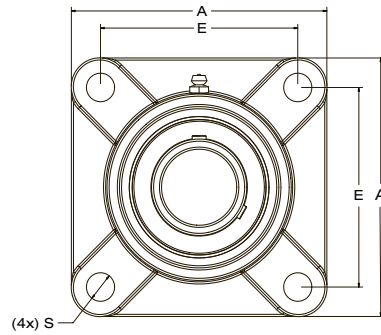
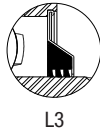
UCF 200 SERIES

Normal-Duty 4-Bolt Flange Block
Setscrew Lock

TURNER

Mounted Bearings

Available Seal Styles:



Bearing Number	Shaft Dia. d in. mm.	Dimensions in. mm.										Bolt Used in. mm.	Load Rating lbs. kN.		Bearing Insert	Housing Number	Weight lbs. kg.	
		A	E	I	G	L	S	Z	Bi	N	M		Dynamic C _r	Static C _{0r}				
UCWF 201	12															UCW 201 UCW 201-8 UCW 202 UCW 202-10 UCW 203	WF 203	1.3 0.6
UCWF 201-8	1/2																	
UCWF 202	15	3.00	2.13	0.59	0.44	1.00	0.44	1.22	1.0787	0.3937	0.6260	3/8	2,147	1,075				
UCWF 202-10	5/8	76.0	54.0	15.0	11.0	25.5	11.0	30.9	27.4	10.0	15.9	M10	9.55	4.78				
UCWF 203	17																	
UCF 204-12	3/4	3.38	2.50	0.59	0.47	1.00	0.44	1.31	1.2205	0.5000	0.7205	3/8	2,883	1,496	UC 204-12 UC 204	F 204	1.8 0.8	
UCF 204	20	86.0	63.5	15.0	12.0	25.5	11.0	33.3	31.0	12.7	18.3	M10	12.82	6.65				
UCF 205-14	7/8														UC 205-14 UC 205-15 UC 205 UC 205-16	F 205	2.4 1.1	
UCF 205-15	15/16																	
UCF 205	25	3.75	2.75	0.63	0.56	1.06	0.47	1.41	1.3425	0.5630	0.7795	7/16	3,155	1,810				
UCF 205-16	1	95.0	69.9	16.0	14.0	27.0	12.0	35.8	34.1	14.3	19.8	M10	14.04	8.05				
UCF 206-17	1 1/16																	
UCF 206-18	1 1/8														UC 206-17 UC 206-18 UC 206 UC 206-19 UC 206-20	F 206	3.1 1.4	
UCF 206	30	4.25	3.25	0.71	0.56	1.22	0.47	1.56	1.5000	0.6260	0.8740	7/16	4,377	2,569				
UCF 206-19	1 3/16	108.0	82.6	18.0	14.0	31.0	12.0	40.2	38.1	15.9	22.2	M10	19.47	11.43				
UCF 206-20	1 1/4																	
UCF 207-20	1 1/4																	
UCF 207-21	1 5/16														UC 207-20 UC 207-21 UC 207-22 UC 207 UC 207-23	F 207	4.6 2.1	
UCF 207-22	1 3/8	4.61	3.63	0.75	0.63	1.34	0.55	1.75	1.6890	0.6890	1.0000	1/2	5,775	3,497				
UCF 207	35	117.0	92.1	19.0	16.0	34.0	14.0	44.4	42.9	17.5	25.4	M12	25.69	15.56				
UCF 207-23	1 7/16																	
UCF 208-24	1 1/2																	
UCF 208-25	1 9/16														UC 208-24 UC 208-25 UC 208	F 208	5.5 2.5	
UCF 208	40	5.13	4.00	0.82	0.63	1.44	0.55	2.00	1.9370	0.7480	1.1890	1/2	6,634	4,079				
UCF 209-26	1 5/8	130.0	101.6	21.0	16.0	36.0	14.0	51.2	49.2	19.0	30.2	M12	29.51	18.14				
UCF 209-27	1 11/16														UC 209-26 UC 209-27 UC 209-28 UC 209	F 209	6.8 3.1	
UCF 209-28	1 3/4	5.38	4.13	0.88	0.71	1.50	0.63	2.06	1.9370	0.7480	1.1890	9/16	7,160	4,676				
UCF 209	45	137.0	104.8	22.0	18.0	38.0	16.0	52.2	49.2	19.0	30.2	M14	31.85	20.80				
UCF 210-30	1 7/8																	
UCF 210-31	1 15/16														UC 210-30 UC 210-31 UC 210 UC 210-32	F 210	7.5 3.4	
UCF 210	50	5.63	4.38	0.88	0.71	1.56	0.63	2.13	2.0315	0.7480	1.2835	9/16	7,867	5,330				
UCF 210-32	2	143.0	111.1	22.0	18.0	40.0	16.0	54.6	51.6	19.0	32.6	M14	35.00	23.71				
UCF 211-32	2														UC 211-32 UC 211-34 UC 211 UC 211-35	F 211	10.1 4.6	
UCF 211-34	2 1/8	6.38	5.13	0.98	0.79	1.69	0.69	2.31	2.1890	0.8740	1.3150	5/8	9,743	6,608				
UCF 211	55	162.0	130.2	25.0	20.0	43.0	17.0	58.4	55.6	22.2	33.4	M16	43.34	29.40				
UCF 211-35	2 3/16																	
UCF 212-36	2 1/4														UC 212-36 UC 212 UC 212-38 UC 212-39	F 212	12.5 5.7	
UCF 212	60	6.88	5.63	1.13	0.79	1.88	0.69	2.69	2.5630	1.0000	1.5630	5/8	10,720	7,516				
UCF 212-38	2 3/8	175.0	142.9	29.0	20.0	48.0	17.0	68.7	65.1	25.4	39.7	M16	47.69	33.43				
UCF 212-39	2 7/16																	
UCF 213-40	2 1/2														UC 213-40 UC 213	F 213	15.6 7.1	
UCF 213	65	7.38	5.88	1.18	0.88	1.97	0.69	2.75	2.5630	1.0000	1.5630	5/8	12,859	8,994				
UCF 214-43	2 11/16														UC 214-43 UC 214-44 UC 214	F 214	16.7 7.6	
UCF 214-44	2 3/4	7.63	6.00	1.22	0.88	2.13	0.79	2.96	2.9370	1.1890	1.7480	3/4	13,981	9,869				
UCF 214	70	193.0	152.4	31.0	22.0	54.0	20.0	75.4	74.6	30.2	44.4	M18	62.19	43.90				
UCF 215-47	2 15/16														UC 215-47 UC 215 UC 215-48	F 215	18.5 8.4	
UCF 215	75	7.88	6.25*	1.34	0.88	2.21	0.79	3.09	3.0630	1.3110	1.7520	3/4	14,974	10,757				
UCF 215-48	3	200.0	158.8	34.0	22.0	56.0	20.0	78.5	77.8	33.3	44.5	M18	66.61	47.85				

*Also available with 6.000" Bolt Spacing. Use FX14 housing with appropriate UC 215 bearing insert.